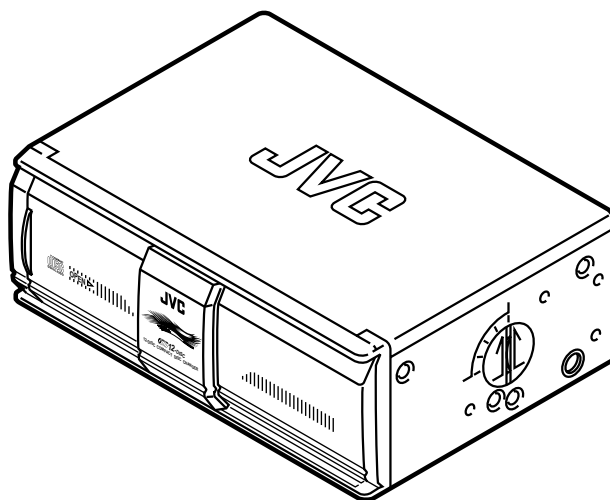


JVC

SERVICE MANUAL

COMPACT DISC AUTOMATIC CHANGER

CH-X11



COMPACT
disc
DIGITAL AUDIO

Area suffix

U Other Areas

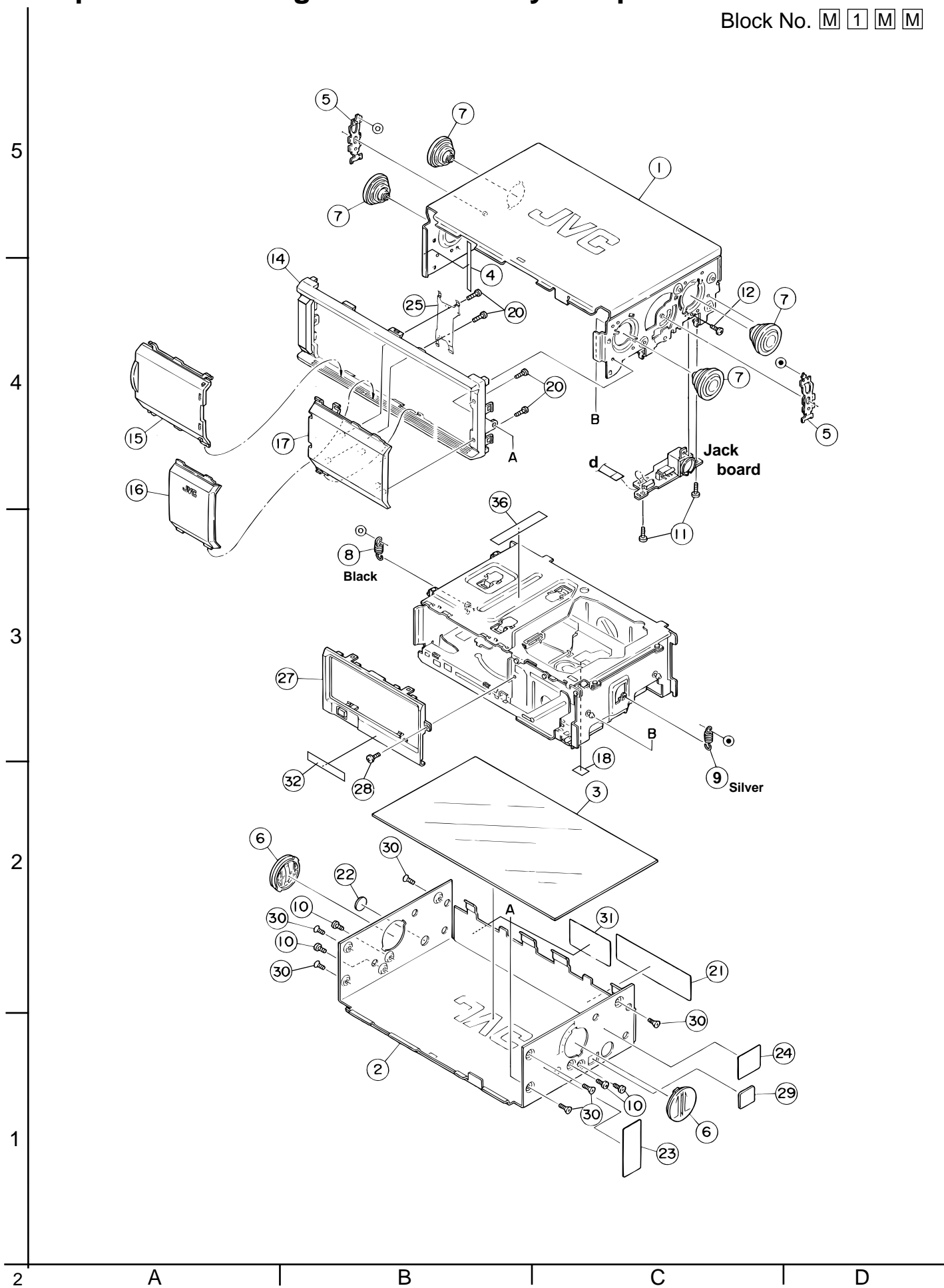
The model CH-X11 is just a cosmetically changed version of the model CH-X200.
For matters and details other than those described in this manual, refer to the
service manual(No.49493)

Contents

Exploded view of general assembly and parts list	2
Parts comparison table between the CH-X200 and CH-X11.	3

Exploded view of general assembly and parts list

Block No. M 1 M M



Parts comparison table between the CH-X200 and CH-X11.

■ Parts list(General assembly)

P3-3 Block No. M1MM

△	Ref.	Parts name	CH-X200(U)		CH-X11(U)	
			Parts number	Q'ty	Parts number	Q'ty
	1	TOP COVER	LV10040-003A	1	LV10040-004A	1
	2	BOTTOM COVER	LV10041-003A	1	LV10041-010A	1
	6	DIRECTION KNOB	LV30360-003A	2	LV30360-004A	2
	7	DAMPER	LV30451-001A	4	LV30451-002A	4
	11	SCREW	QYSDSR2006Z	6	QYSDST2005Z	2
	13	DAMPER BRACKET	LV40529-001A	4	-----	-
	14	FRONT PANEL	LV10149-001A	1	LV10149-202B	1
	15	DOOR-1	LV20282-001A	1	LV20282-002B	1
	16	DOOR-2	LV20283-001A	1	LV20283-002B	1
	17	DOOR-3	LV20284-001A	1	LV20284-002B	1
	18	SPACER	-----	-	LV41266-001A	1
	21	NAME PLATE	LV30795-001A	1	LV32181-002A	1
	29	LABEL	LV40528-001A	1	LV40528-004A	1
	31	CLASS 1 LABEL	-----	-	E70891-001	1
	33	WIRE	QUB220-16RLRL	1	-----	-
	34	SPACER	VYSA1R4-056	1	-----	-
	35	SPACER(H)	LV40847-001A	1	-----	-
	36	LASER CAUTION	-----	-	E406709-001	1

■ Packing parts list

P3-10 Block No. M3MM

△	Ref.	Parts name	CH-X200(U)		CH-X11(U)	
			Parts number	Q'ty	Parts number	Q'ty
	P1	CARTON	LV30797-001A	1	LV30870-001A	1
	P2	ACCESSORY BOX	LV30453-002A	1	LV30453-003A	1

■ Accessories parts list

P3-11 Block No. M4MM

△	Ref.	Parts name	CH-X200(U)		CH-X11(U)	
			Parts number	Q'ty	Parts number	Q'ty
	A1	INST BOOK	LVT0156-001A (ENG,FRE,SPA)	1	LVT0514-001A (ENG.CHI,ARA)	1
	A6	MOUNT HOLDER(L)	LV20066-002A	1	LV20738-002A	1
	A7	MOUNT HOLDER(R)	LV20178-002A	1	LV20737-002A	1
	A17	MAGAZINE ASS'Y	LV30682-005A-OL	1	LV30682-205A-CL	1

JVC

VICTOR COMPANY OF JAPAN, LIMITED
MOBILE ELECTRONICS DIV.

PERSONAL & MOBILE NETWORK B.U. 10-1,1chome,Ohwatari-machi,Maebashi-city,371-8543,Japan